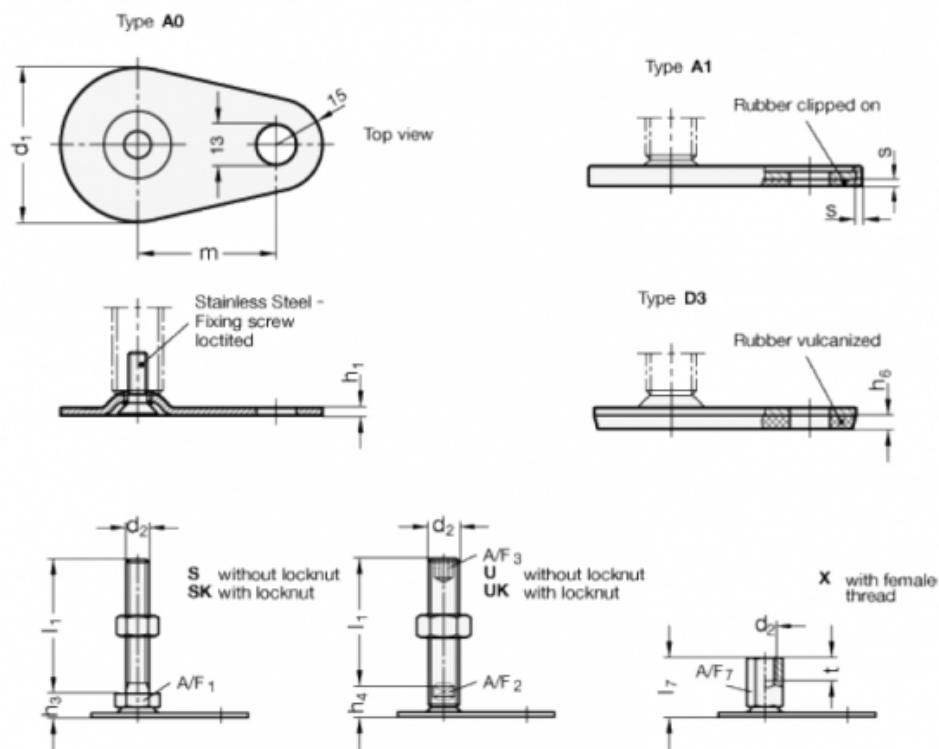


Data Sheet



Article number: 204250M1028A1X
 Description: E+G levelling foot
 GN 42-50-M10-28-A1-X
 Note: X With female thread, External hexagon

Measures



| | |
|-----------|--------|
| A/F7 = 14 | t = 10 |
| d1 = 50 | |
| d2 = M10 | |
| h1 = 2.5 | |
| h6 = | |
| h7 = 28 | |
| m = 45 | |
| s = 2 | |